



# NORMBAU

PASSION FOR CARE

## Inox Care Grab bar/Towel holder 2053060, c/c = 600mm

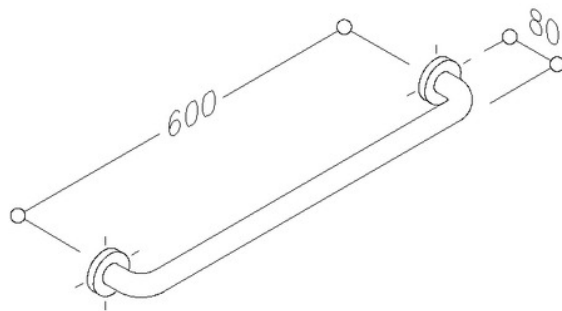
c/c = 600mm

made of stainless steel, material No. 1.4301 (A2, AISI 304), 32mm dia., brushed finish, 70mm dia., steel cored roses, concealed fixing. Rose inners with compensation of wall differences.

Maximum loading permitted: 175 kgs.

Supplied with 6mm dia x 70mm stainless Torx screws and plugs for solid masonry.

Product code	2053060
Product group	5600



NORMBAU GmbH  
Schwarzwaldstraße 15  
77871 Renchen/Germany  
Telefon +49(0)7843 / 704 - 0  
Telefax +49(0)7843 / 704 - 43  
[www.normbau.de](http://www.normbau.de) / [normbau@allegion.com](mailto:normbau@allegion.com)

  
**ALLEGION**